

PREMIUM RANGE LED PANEL LUMINAIRE

956-004 - CYFELCO 1 RPR 6W 830

PRODUCT DATASHEET

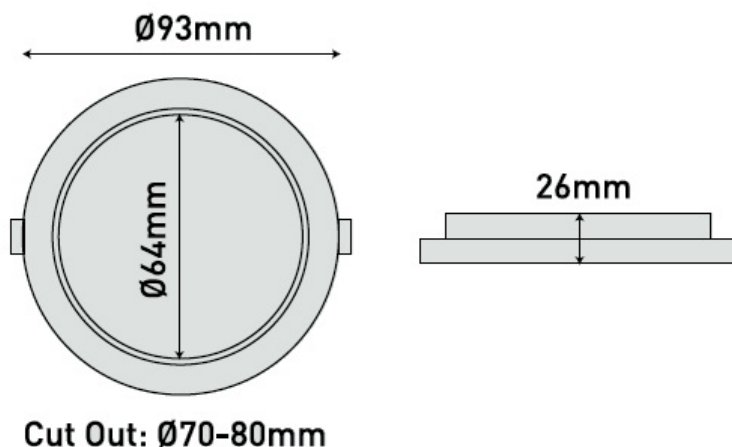
Slim housing round backlit recessed panel luminaires with CRI80, for suspended ceilings and plaster board ceilings

Areas of application

- Direct replacement for luminaires with compact fluorescent lamps
- Offices, shops, conference rooms, reception areas, foyers, stairways, corridors
- Suitable for surface installation via aluminium surface mounting frame

Product Features

- CRI>80 and up to 80lm/W
- Energy Class F
- Driver on Board
- Flicker-Free
- Lifetime (L70/B50): up to 15,000 h (at 25 °C)
- 2 Years Warranty



TECHNICAL DATA

Operating and Electrical

Input Voltage	220-240V AC
Line Frequency	50/60 Hz
Nominal Power Consumption	6 W
Power Factor	>0.5
Total Harmonic Distortion	<20%
Protection Class	Class II
Driver	External
Connection	Push in connector

Over Time Performance

Lifespan L70/B50 at 25 °C	>15000 hrs
---------------------------	------------

Application

Ambient Temperature Range	-25 to +40 °C
Ingress Protection Code	IP20
Mech. Impact Protection	IK04
Application Environment	Indoor
Mounting Type	Recessed/Surface
Dimmable	No

Logistics

Dimensions	Φ93x26.5 mm
Cut-out	Φ75 mm
Packaging Size	98x98x29 mm
Gross Weight	0.040 Kg
Net Weight	0.030 Kg

Directives

2014/30/EU	Electromagnetic Compatibility Directive
2014/35/EU	Low Voltage Directive
2011/65/EU	Restriction of Hazardous Substances Directive (RoHS)
2009/125/EU	Ecodesign Requirements for energy-related products

Standards

EN 60598-1:2021/A1:2022	Luminaires part 1 General Requirements
EN 60598-2-2:2012	Part 2: Particular requirements-Recessed luminaires
EN IEC 55015:2019/A11:2020	Limits and methods of measurement of radio disturbance characteristics of electrical lighting and similar equipment
EN 61547:2009	Equipment for general lighting purposes - EMC immunity requirements
EN IEC 61000-3-2:2019/A1:2021	Electromagnetic compatibility (EMC) - Part 3-2: Limits - Limits for harmonic current
EN 61000-3-3:2013/A2:2021	Electromagnetic compatibility (EMC) - Part 3-3: Limits - Limitation of voltage changes, voltage fluctuations and flicker in public low-voltage supply systems, for equipment
EN 62493:2015 A1/2022	Assessment of lighting equipment related to human exposure to electromagnetic fields

Photometric Data

Luminous Flux	480 lm
Luminous Efficacy	80 lm/W
Color Temperature	3000 K (Warm White)
Color Rendering Index	>80
SDCM	<5
Flickering metric (Pst LM)	<1
Stroboscopic Effect (SVM)	<0.4
Photobiological safety group	RG 0
Beam Angle	120°
UGR	<22

Mechanical and Housing

Housing Material	PP
Diffuser	PS
Housing Color	White

Packaging	60 pcs per Carton
-----------	-------------------

Carton Box Gross Weight	2.9 Kg
-------------------------	--------

Carton Box Net Weight	1.8 Kg
-----------------------	--------

Accessories/Options

Recessed installation	Torsion Springs
Surface Installation	Mounting Frame (Optional)

